



GAI-TRONICS®  
A HUBBELL COMPANY

# 13310 Series Explosion-proof Drivers

## Confidentiality Notice

This manual is provided solely as an installation, operation and maintenance guide and contains sensitive business and technical information that is confidential and proprietary to GAI-Tronics. GAI-Tronics retains all intellectual property and other rights in or to the information contained herein, and such information may only be used in connection with the operation of your GAI-Tronics product or system. This manual may not be disclosed in any form, in whole or in part, directly or indirectly, to any third party.

## Mounting Instructions

See Figure 1 for the 13310 Series Driver installation configuration with an associated horn and mounting assembly. The installation of explosion-proof speakers must conform with regulations governing electrical equipment for hazardous locations and the provisions of the National Electrical Code. **NO ALTERATIONS MAY BE MADE TO THESE DRIVER UNITS!**

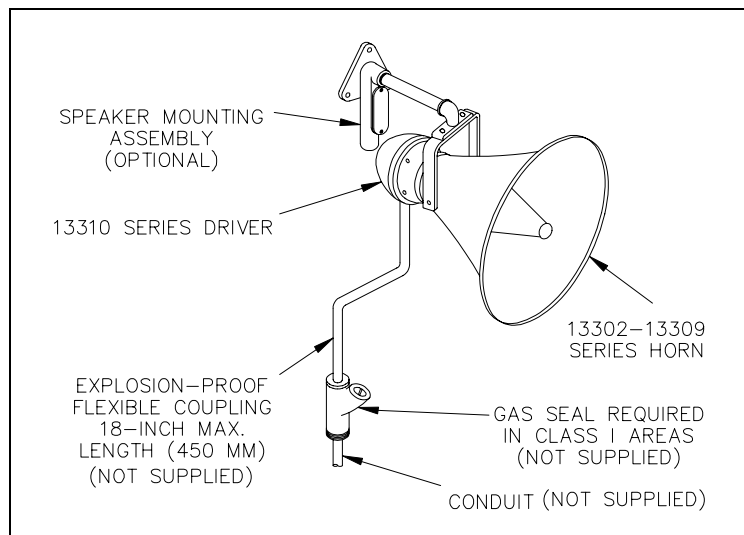


Figure 1. 13310 Series Driver Installation

No holes may be made or holding devices screwed into the case, which may weaken or endanger the structure after installation. All main bolts on the case housing of the driver must be tightened to 10.8–12.5 ft-lbs. dry (14.6–17 n-m dry).

Wiring may be run in threaded rigid or approved standard electrical flexible conduit with five full threads engaged. Explosion-proof conduit boxes, junctions, and fittings are of approved type and usually contain screw-in covers. Unions, elbows, and bends are also of special design.

# Electrical Connection

The Model 13310-201 Driver has a 16-ohm impedance, and if used singly, connects to the 16-ohm amplifier output tap. If two drivers are used, connect in parallel to the 8-ohm amplifier output tap.

The Model 13310-202 Driver has an 8-ohm impedance and if used singly, connects to the 8-ohm amplifier output. If two drivers are used, connect in series to the 16-ohm output.

The Model 13310-203 Driver has a 70.7 V transformer. Connect the transformer for the power level desired (30 watts max.). See Figure 2.

**⚠ CAUTION ⚠ Installation must be in accordance with National Electrical Code for the appropriate hazardous area classification.**

1. Select the speaker mounting assembly based on the horn being used. Refer to the chart at the right. The suggested mounting height is 9 feet (2.7 meters) above the floor.
2. In hazardous areas, use the speaker mounting assembly to support the speaker only. Do not route electrical connections through the mounting assembly.

Horn Series	Mounting Assembly
13302	415A
13304	415A
13305	413A
13306	415A
13309	415A
13340	415A

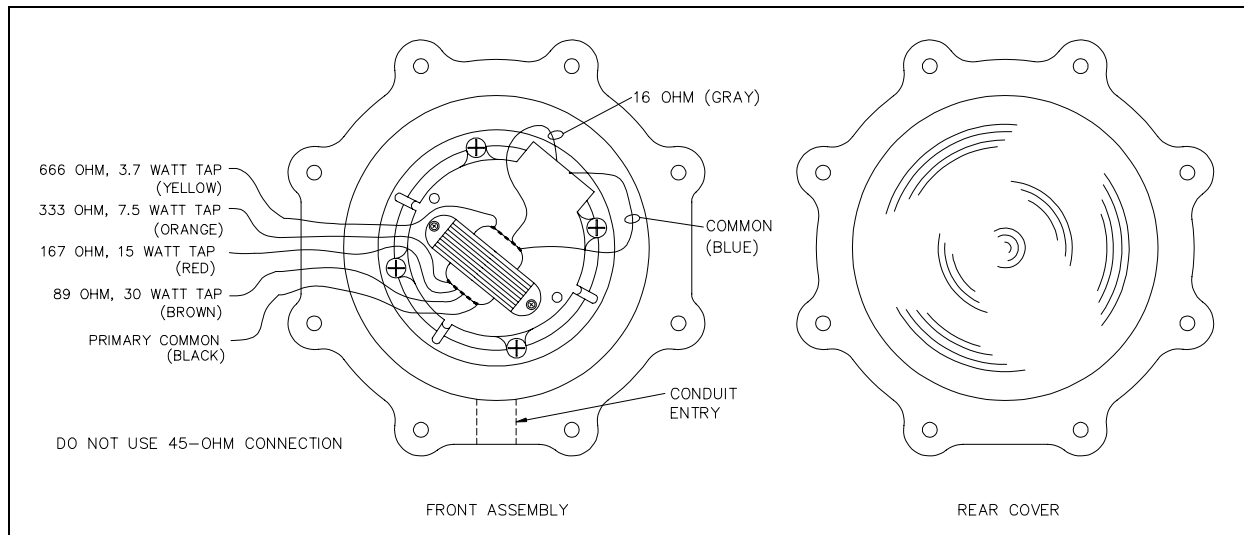


Figure 2. Front and Rear Halves of Model 13310-203 Driver Assembly – Output Tap Locations

# Specifications

- Power capacity ..... 30 watts continuous power
- Impedance ..... 16 ohms (voice coil) – 13310-201  
8-ohms – 13310-202  
70 V – 13310-203
- Conduit attachment ..... Standard 1/2 inch (1.27 cm) pipe conduit
- Horn coupling ..... Standard 1-3/8 inch (3.5 cm) - 18 threads
- Approval ..... UL listed [E71922] for Class I, Groups B, C and D, Hazardous Gas Areas (Div. 1)

# Warranty

---

Equipment. GAI-Tronics warrants for a period of one (1) year from the date of shipment, that any GAI-Tronics equipment supplied hereunder shall be free of defects in material and workmanship, shall comply with the then-current product specifications and product literature, and if applicable, shall be fit for the purpose specified in the agreed-upon quotation or proposal document. If (a) Seller's goods prove to be defective in workmanship and/or material under normal and proper usage, or unfit for the purpose specified and agreed upon, and (b) Buyer's claim is made within the warranty period set forth above, Buyer may return such goods to GAI-Tronics' nearest depot repair facility, freight prepaid, at which time they will be repaired or replaced, at Seller's option, without charge to Buyer. Repair or replacement shall be Buyer's sole and exclusive remedy. The warranty period on any repaired or replacement equipment shall be the greater of the ninety (90) day repair warranty or one (1) year from the date the original equipment was shipped. In no event shall GAI-Tronics warranty obligations with respect to equipment exceed 100% of the total cost of the equipment supplied hereunder. Buyer may also be entitled to the manufacturer's warranty on any third-party goods supplied by GAI-Tronics hereunder. The applicability of any such third-party warranty will be determined by GAI-Tronics.

Services. Any services GAI-Tronics provides hereunder, whether directly or through subcontractors, shall be performed in accordance with the standard of care with which such services are normally provided in the industry. If the services fail to meet the applicable industry standard, GAI-Tronics will re-perform such services at no cost to buyer to correct said deficiency to Company's satisfaction provided any and all issues are identified prior to the demobilization of the Contractor's personnel from the work site. Re-performance of services shall be Buyer's sole and exclusive remedy, and in no event shall GAI-Tronics warranty obligations with respect to services exceed 100% of the total cost of the services provided hereunder.

Warranty Periods. Every claim by Buyer alleging a defect in the goods and/or services provided hereunder shall be deemed waived unless such claim is made in writing within the applicable warranty periods as set forth above. Provided, however, that if the defect complained of is latent and not discoverable within the above warranty periods, every claim arising on account of such latent defect shall be deemed waived unless it is made in writing within a reasonable time after such latent defect is or should have been discovered by Buyer.

Limitations / Exclusions. The warranties herein shall not apply to, and GAI-Tronics shall not be responsible for, any damage to the goods or failure of the services supplied hereunder, to the extent caused by Buyer's neglect, failure to follow operational and maintenance procedures provided with the equipment, or the use of technicians not specifically authorized by GAI-Tronics to maintain or service the equipment. **THE WARRANTIES AND REMEDIES CONTAINED HEREIN ARE IN LIEU OF AND EXCLUDE ALL OTHER WARRANTIES AND REMEDIES, WHETHER EXPRESS OR IMPLIED BY OPERATION OF LAW OR OTHERWISE, INCLUDING ANY WARRANTIES OF MERCHANTABILITY OR FITNESS FOR A PARTICULAR PURPOSE.**

## Return Policy

---

If the equipment requires service, contact your Regional Service Center for a return authorization number (RA#). Equipment should be shipped prepaid to GAI-Tronics with a return authorization number and a purchase order number. If the equipment is under warranty, repairs or a replacement will be made in accordance with the warranty policy set forth above. Please include a written explanation of all defects to assist our technicians in their troubleshooting efforts.

Call 800-492-1212 (inside the USA) or 610-777-1374 (outside the USA) for help identifying the Regional Service Center closest to you.